

E-mail: dgdeao@126.com

联系QQ: 2654113517



SWITCH TYPE	Micro Switches	MODEL NO.	DV22-A25K3-100F
-------------	----------------	-----------	-----------------

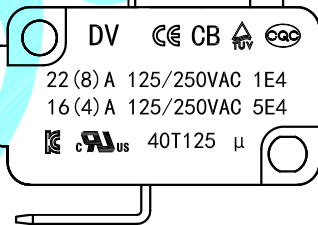
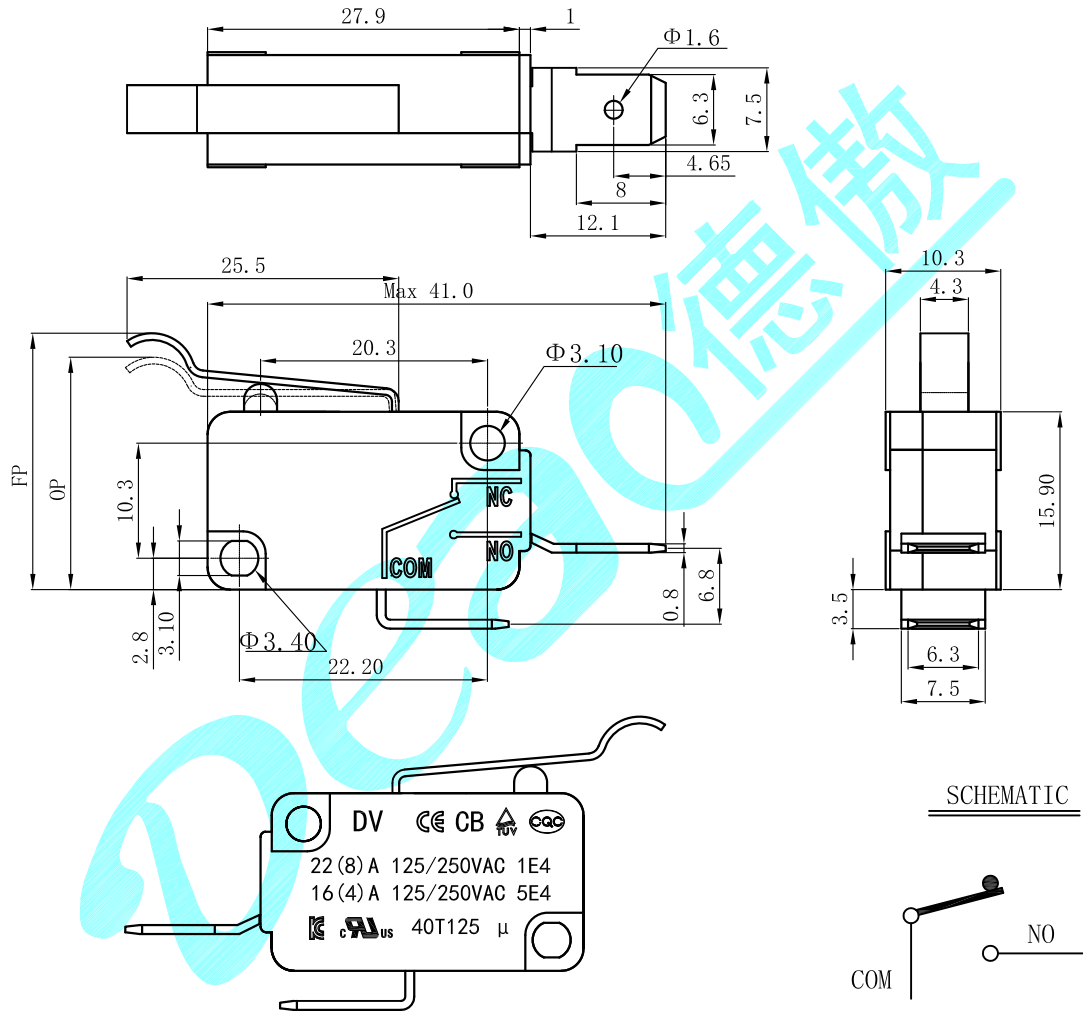
1. Functional spec.

1.1 Rated Voltage	125/250VAC	1.6 Free Position	24.0 ± 0.8mm
1.2 Rated Current	22A	1.7 Operating Position	22.0 ± 0.8mm
1.3 Contact Resistance	≤ 100mΩ (Initial value)	1.8 Position Travel	Max 3.0mm
1.4 Operating Force	100 ± 30GF	1.9 Bounce Time	
1.5 Return Force	Min 60 GF	1.10 Circuit configuration	SPST-NO

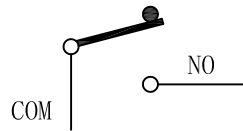
2. Reliable Rating

2.1 Mechanical Life	1,000,000 CYCLES	2.5 Soldering Temper.	Hand Soldering 350° 3-5S
2.2 Electrical Life	10,000 CYCLES	2.6 Ambient Temper. Used	-40°C ~ +125°C
2.3 Insulation Resistance	≥ 100MΩ DC500V (Initial value)	2.7 Ambient Humidity Used	< 85%RH
2.4 Withstand Voltage	AC1500V 1 minute (Initial value)	2.8 Protection Grade	IP40

3. Dimension Drawing



SCHEMATIC



Version	Revise content			Date	Revise
DEAO DWG		DEAO REV	C/0	Page 1 of 1	
Drawing Model	Specification		Tolerance	±0.2	Unit mm
Prepared		Reviewed	Xu Hao	Approved	Effective date